

STEINBICHLER INSPECT_{plus}

INSPECTION SOFTWARE

Benefit from a wide functionality range for the dimensional evaluation of 3d data utilizing the STEINBICHLER INSPECT_{plus} inspection software!

EVALUATION FUNCTIONALITY

The measurement results give the user valuable basic information for a wide application range, e.g. for tool settings or for the timely recognition of wear and tear areas. The variety of comparison methods provides a highly efficient tool for quality control which pairs high performance with ease of use.

ALIGNMENT

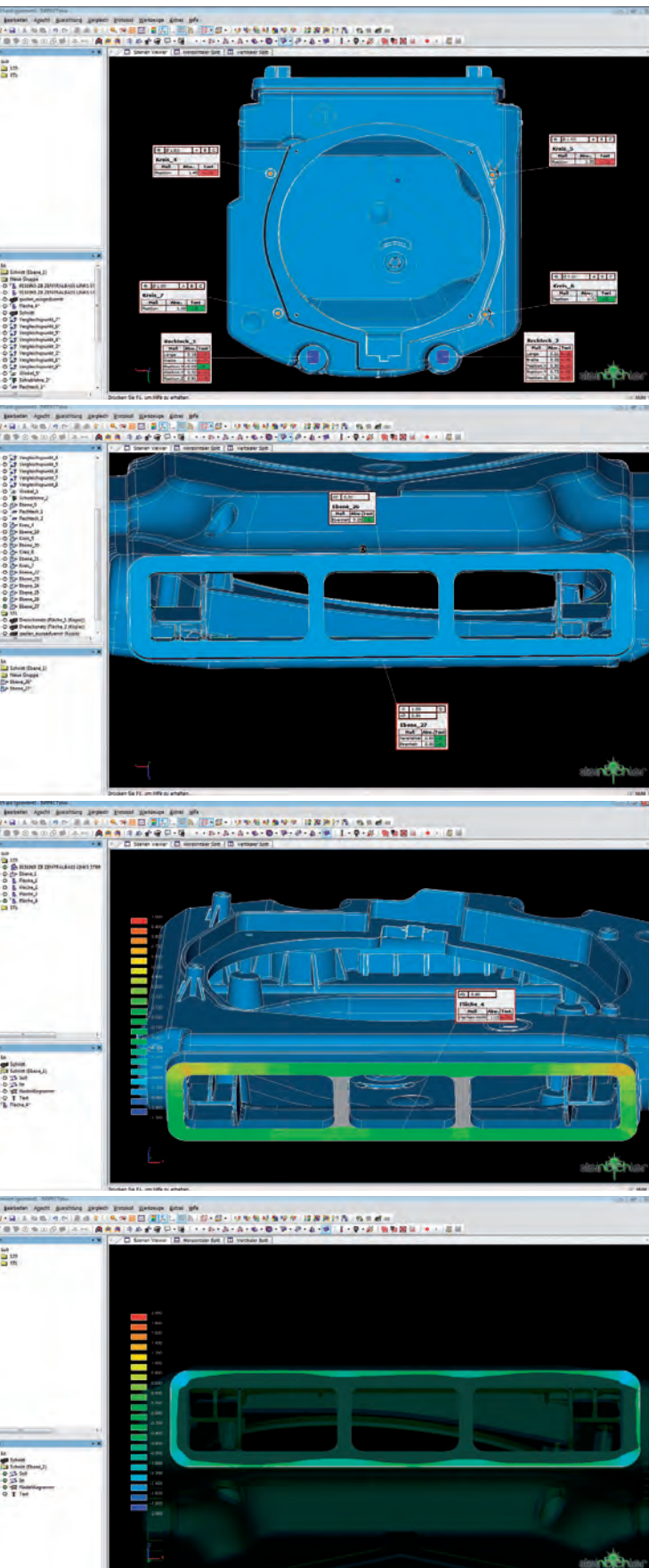
For the alignment of the measurement data, the user can choose a suitable method from a comprehensive state-of-the-art functionality range, e.g. featuring the best-fit alignment of a component. Also, alignment methods such as 3-2-1 or RPS alignment are available with the standard software version.

DOCUMENTATION

Including protocol generation and comprehensive editing functions for the documentation of the measurement results, STEINBICHLER INSPECT_{plus} is a compact, versatile and easy-to-use inspection software package suitable for a wide range of applications. The free viewer version can be used e.g. for subsequent data comparisons.

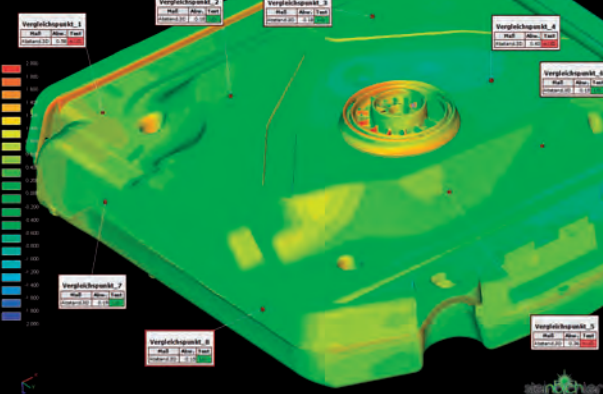
AUTOMATION

Any inspection process can be automated using recorded (macro recorder) or user-defined Visual Basic macros. The generated macros can be controlled by external software products which allows an easy integration in automated units at any time. This makes INSPECT_{plus} ideal for repeated measurements and serial inspection processes.



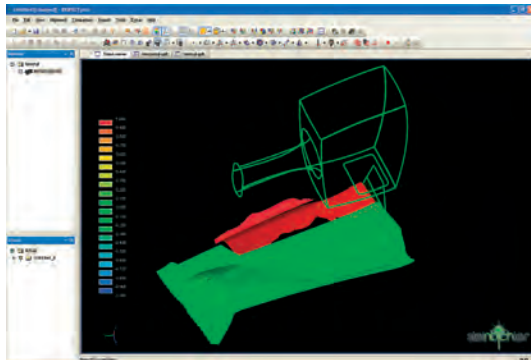
STEINBICHLER INSPECT_{plus}

INSPECTION SOFTWARE

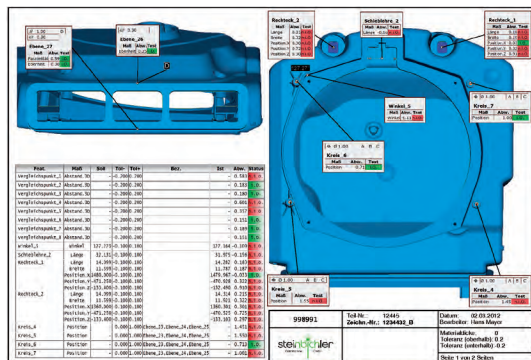


FUNCTIONS - HIGHLIGHTS

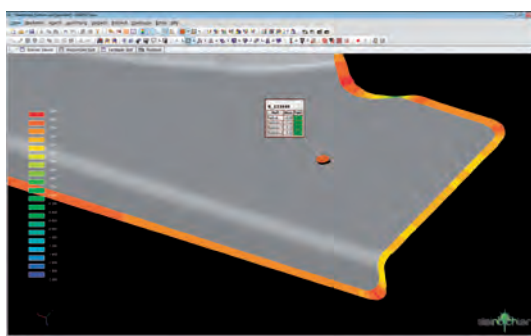
- INSPECTplus application in 32 and 64 bit technology including direct interfaces for automatic data exchange with COMETplus and T-SCANplus
 - Easy-to-use, graphical user interface
 - Import of common CAD data formats: IGES, VDA-FS, STEP, Catia V4 / V5, Pro/E, Unigraphics, SolidWorks, XT Parasolid, JtOpen
 - Data export to statistics programs: qs-STAT, CSV
 - Best fit alignment with simultaneous automatic pre-alignment of the data sets and/or alignment based on selected elements
 - RPS alignment and alignment to geometry elements
-
- Calculation of the deviation for surface data, planar sections, border lines, fold points
 - Display of deviation via freely scalable color display
 - Display of needle diagrams for comparison of border lines and intersections
 - Calculation of distance and angle values, display of deviation relative to nominal data
 - Inspection of comparison and RPS points, geometry features (holes and slots, vectors, planes, spheres, cylinders, cones) and evaluation of shape and position tolerances (GD&T)
 - Visualization of the results by freely definable flyers (GD&T information, object features, deviations and spatial position)
-
- Interactive and automatic trimming
 - Determination of point direction from nominal data
 - Undo/redo function
 - Automatic evaluation and report generation via macro control (macro recorder)
 - Online inspection by direct import of 3D pointclouds and comparison to reference data
 - Space Mouse integration



Connection with T-SCAN and touchprobe: generation of elements and corresponding fitting strategies



Easy and intuitive report generation with extensive editing functions and report export in pdf format



Evaluation of sheet metal edges and trim measurement